

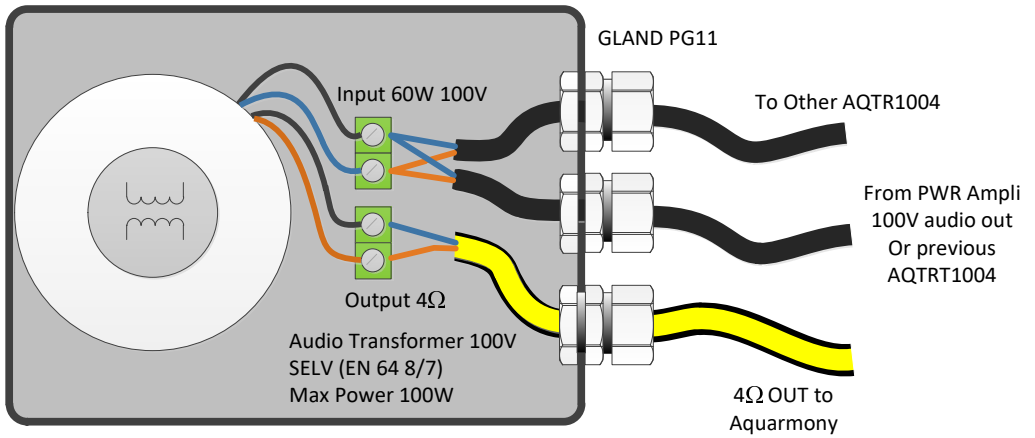
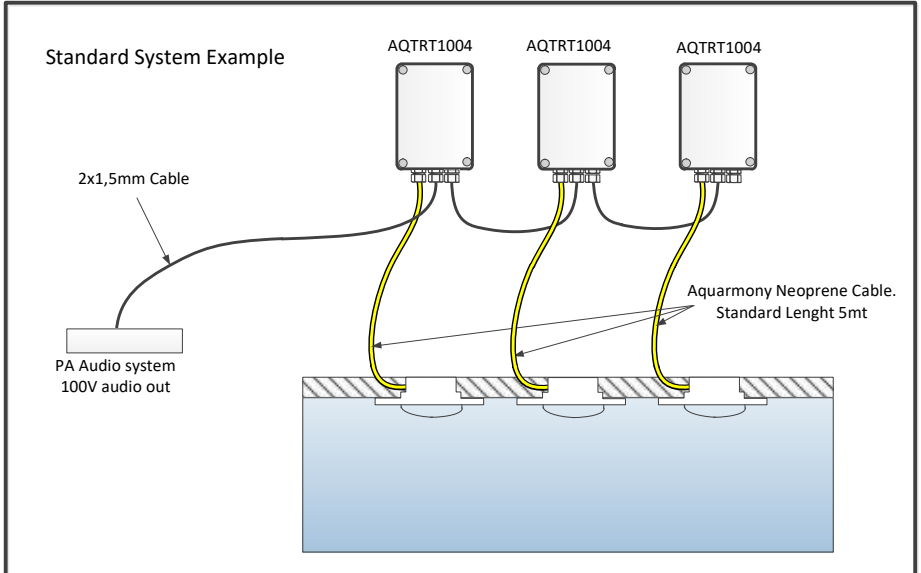


80,00



115,00

160,00



AQTR 1004 Insulating Transformer EN 61558-1 (SELV circuit)			
Technical Features			
MAX Audio Power	60VA 100V	Weight	1,1 Kg
Bandwidth	200 – 14000 Hz	Dimensions	160x115x80cm
Input	100V @ 1KHz	Electrical safety class III SELV Circuit	
Output	12V 4Ω @ 1KHz	IP55 Protection Grade	